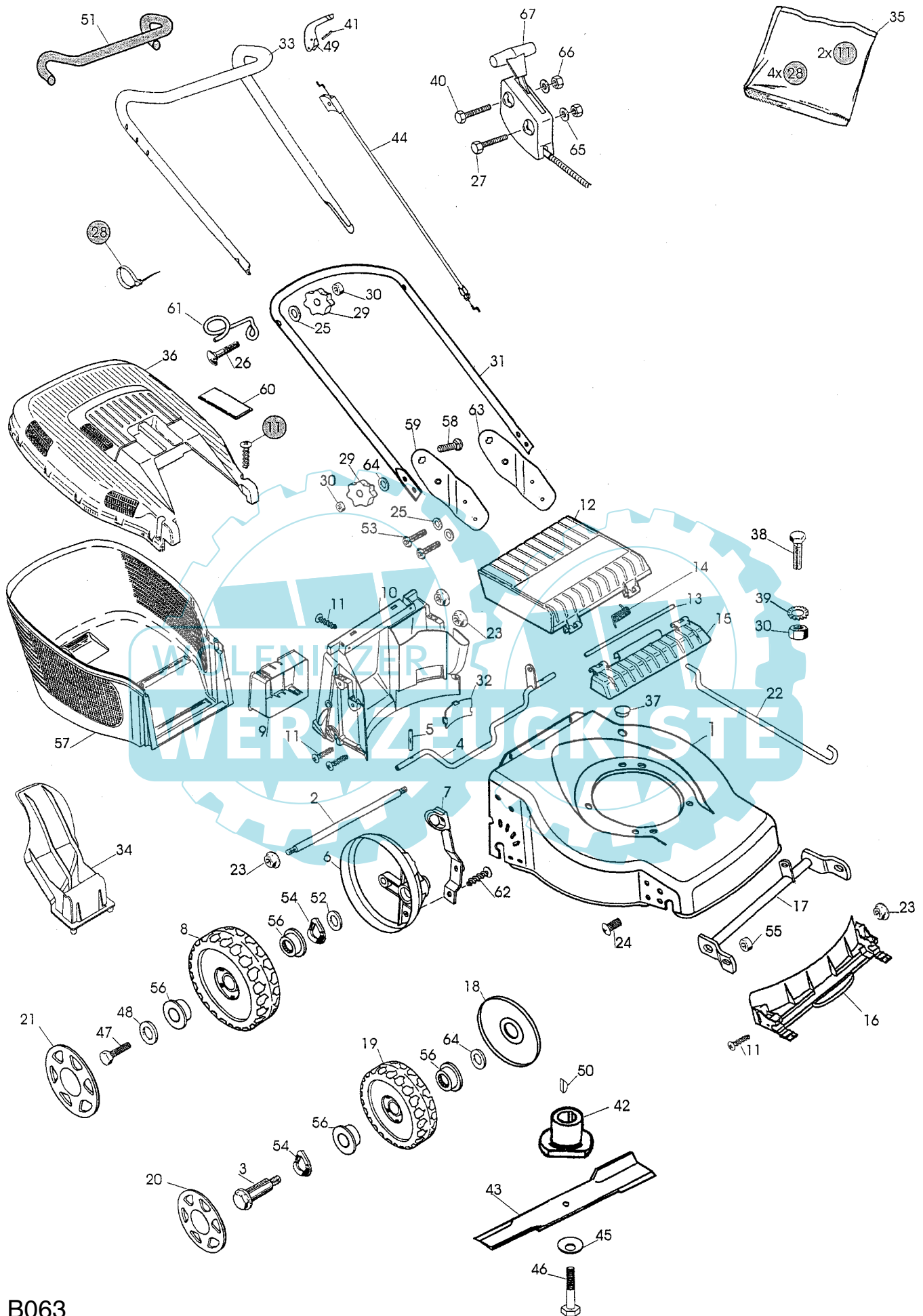


B063

| Ausgabe<br>Issue |                 | Bild Nr<br>Picture No |  | VARIOLUX 45 BCH |                             | VARIOLUX 45 BCH            |             | Seite<br>Page |                    |
|------------------|-----------------|-----------------------|--|-----------------|-----------------------------|----------------------------|-------------|---------------|--------------------|
| 2003- 1          |                 | B063                  |  |                 |                             |                            |             | 62            |                    |
| Pos.<br>Fig.     | Anzahl/Quantity |                       |  |                 | Artikel Nr.<br>Part No      | Bezeichnung                | Description | Satz<br>Kit   | Anmerkung<br>Notes |
|                  | 594             |                       |  |                 |                             |                            |             |               |                    |
|                  | 537             |                       |  |                 |                             |                            |             |               |                    |
| 1                | 1               |                       |  | 1117-3263-04    | Chassie- rot .....          | Deck- red.....             |             |               |                    |
| 2                | 1               |                       |  | 1117-3258-01    | Verstärkerungsstrebe .....  | Reinforcement.....         |             |               |                    |
| 3                | 2               |                       |  | 1111-3164-01    | Radbolzen.....              | Wheel axle bolt.....       |             |               |                    |
| 4                | 1               |                       |  | 1117-1173-01    | Hinterachse .....           | Shaft- backside.....       |             |               |                    |
| 5                | 2               |                       |  | 9595-0212-00    | Spannstift .....            | Locating pin .....         |             |               |                    |
| 6                | 2               |                       |  | 1117-3256-01    | Raddeckel .....             | Wheel protection cap ..... |             |               |                    |
| 7                | 1               |                       |  | 1117-1174-01    | Höheneinstellhebe .....     | Height adjust lever .....  |             |               |                    |
| 8                | 2               |                       |  | 1111-3238-01    | Rad.....                    | Wheel.....                 |             |               |                    |
| 9                | 1               |                       |  | 1111-2927-01    | Batteriehalter .....        | Battery holder .....       |             |               |                    |
| 10               | 1               |                       |  | 1117-3008-01    | Leitschiene- hintere .....  | Baffle- rear .....         |             |               |                    |
| 11               | 12              |                       |  | 9836-9512-12    | Schraube .....              | Screw.....                 |             |               |                    |
| 12               | 1               |                       |  | 1117-1156-02    | Klappe- schwarz .....       | Rear flap- black .....     |             |               |                    |
| 13               | 1               |                       |  | 1117-1143-01    | Achse.....                  | Shaft .....                |             |               |                    |
| 14               | 1               |                       |  | 1117-1126-01    | Feder .....                 | Spring- rear flap .....    |             |               |                    |
| 15               | 1               |                       |  | 1117-1155-02    | Klapphalterung- schw. ....  | Flap holder- black.....    |             |               |                    |
| 16               | 1               |                       |  | 1117-3007-01    | Leitschiene- vordere .....  | Baffle- front .....        |             |               |                    |
| 17               | 1               |                       |  | 1117-1334-01    | Vorderachse .....           | Front shaft.....           |             |               |                    |
| 18               | 2               |                       |  | 1117-1161-01    | Radschutz.....              | Wheel protection .....     |             |               |                    |
| 19               | 2               |                       |  | 1111-3163-01    | Rad.....                    | Wheel.....                 |             |               |                    |
| 20               | 2               |                       |  | 1111-3084-07    | Nabenkapsel- grau.....      | Hub cap- grey.....         |             |               |                    |
| 21               | 2               |                       |  | 1111-3085-07    | Nabenkapsel- grau.....      | Hub cap- grey.....         |             |               |                    |
| 22               | 1               |                       |  | 1117-1130-01    | Höheneinstellstange .....   | Connection rod .....       |             |               |                    |
| 23               | 8               |                       |  | 1117-1131-01    | Mutter .....                | Nut .....                  |             |               |                    |
| 24               | 2               |                       |  | 9865-0816-16    | Schraube .....              | Screw.....                 |             |               |                    |
| 25               | 6               |                       |  | 9699-0028-02    | Scheibe.....                | Flat washer.....           |             |               |                    |
| 26               | 2               |                       |  | 9898-0845-12    | Schraube .....              | Screw.....                 |             |               |                    |
| 27               | 1               |                       |  | 9997-0560-12    | Schraube .....              | Screw.....                 |             |               |                    |
| 28               | 4               |                       |  | 9579-0008-00    | Kabelhalter.....            | Cable holder .....         |             |               |                    |
| 29               | 4               |                       |  | 1117-3194-01    | Verriegelungsrads .....     | Locking knob .....         |             |               |                    |
| 30               | 7               |                       |  | 9799-0831-02    | Mutter .....                | Nut .....                  |             |               |                    |
| 31               | 1               |                       |  | 1117-3034-01    | Führungsholm- Untert. ....  | Handlebar- lower .....     |             |               |                    |
| 32               | 1               |                       |  | 1117-1148-01    | Deckel.....                 | Cap.....                   |             |               |                    |
| 33               | 1               |                       |  | 1117-3035-01    | Führungsholm- Obert. ....   | Handlebar- upper .....     |             |               | Inkl. 51           |
| 34               | 1               |                       |  | 1117-3001-01    | Mulcherpropfen .....        | Mulch plug.....            |             |               |                    |
| 35               | 1               |                       |  | 1117-3028-01    | Montagesatz .....           | Assy kit .....             |             |               |                    |
| 36               | 1               |                       |  | 1117-1157-02    | Behälterdeckel- schwar..... | Grassbag cover- black..... |             |               | Inkl. 60           |
| 37               | 1               |                       |  | 1117-1119-01    | Propfen.....                | Cap.....                   |             |               |                    |
| 38               | 3               |                       |  | 9997-0835-12    | Schraube .....              | Screw.....                 |             |               |                    |
| 39               | 3               |                       |  | 9678-0009-02    | Schloßscheibe .....         | Lock washer.....           |             |               |                    |
| 40               | 1               |                       |  | 9997-0550-16    | Schraube .....              | Screw.....                 |             |               |                    |
| 41               | 1               |                       |  | 9595-0258-00    | Spannstift .....            | Locating pin .....         |             |               |                    |
| 42               | 1               |                       |  | 1111-9719-01    | Messerhalterung.....        | Blade holder .....         |             |               |                    |
| 43               | 1               |                       |  | 1111-9723-01    | Messer.....                 | Blade.....                 |             |               |                    |
| 44               | 1               |                       |  | 1111-9710-01    | Motorbremsdraht .....       | Engine brake cable.....    |             |               |                    |
| 45               | 1               |                       |  | 1117-1065-01    | Tellerfeder.....            | Spring washer.....         |             |               |                    |
| 46               | 1               |                       |  | 9987-5251-12    | Schraube .....              | Screw.....                 |             |               |                    |
| 47               | 2               |                       |  | 9997-0614-16    | Schraube .....              | Screw.....                 |             |               |                    |
| 48               | 2               |                       |  | 1117-1175-01    | Scheibe.....                | Washer.....                |             |               |                    |
| 49               | 1               |                       |  | 1117-3221-01    | Regulierbügel .....         | OPC lever .....            |             |               |                    |
| 50               | 1               |                       |  | 9600-0014-00    | Keil .....                  | Key .....                  |             |               |                    |
| 51               | 1               |                       |  | 1117-3036-01    | • Griff .....               | • Foam grip.....           |             |               |                    |
| 52               | 2               |                       |  | 9699-0036-02    | Scheibe.....                | Flat washer.....           |             |               |                    |
| 53               | 4               |                       |  | 1117-1364-01    | Schraube .....              | Screw.....                 |             |               |                    |
| 54               | 4               |                       |  | 9694-0003-00    | Scheibe.....                | Washer.....                |             |               |                    |
| 55               | 2               |                       |  | 9716-0831-02    | Mutter.....                 | Nut .....                  |             |               |                    |
| 56               | 8               |                       |  | 9549-0053-00    | Kugellager .....            | Ball bearing .....         |             |               |                    |
| 57               | 1               |                       |  | 1117-1218-01    | Behälter- Unterteil.....    | Lower grass bag .....      |             |               |                    |
| 58               | 2               |                       |  | 9898-0835-12    | Schraube .....              | Screw.....                 |             |               |                    |
| 59               | 1               |                       |  | 1117-1341-01    | Halter- rechts.....         | Handle support- R.H.....   |             |               |                    |
| 60               | 1               |                       |  | 1117-1135-02    | • Deckel- schwarz.....      | • Cover- black .....       |             |               |                    |
| 61               | 1               |                       |  | 1117-1116-01    | Schnurhalter.....           | Rope holder .....          |             |               |                    |
| 62               | 2               |                       |  | 9836-9512-12    | Schraube .....              | Screw.....                 |             |               |                    |
| 63               | 1               |                       |  | 1117-1340-01    | Halter- links .....         | Handle support- L.H.....   |             |               |                    |

X



B063



| Ausgabe<br>Issue |                 | Bild Nr<br>Picture No |  | VARIOLUX 45 BCH        |                      | VARIOLUX 45 BCH        |             | Seite<br>Page      |  |
|------------------|-----------------|-----------------------|--|------------------------|----------------------|------------------------|-------------|--------------------|--|
| 2003- 1          |                 | B063                  |  |                        |                      |                        |             | 64                 |  |
| Pos.<br>Fig.     | Anzahl/Quantity |                       |  | Artikel Nr.<br>Part No | Bezeichnung          | Description            | Satz<br>Kit | Anmerkung<br>Notes |  |
|                  | 594             | 537                   |  |                        |                      |                        |             |                    |  |
| 64               | 4               |                       |  | 9699- 0078- 02         | Scheibe.....         | Washer.....            |             |                    |  |
| 65               | 2               |                       |  | 9699- 0024- 02         | Scheibe.....         | Flat washer.....       |             |                    |  |
| 66               | 2               |                       |  | 9799- 0531- 02         | Mutter .....         | Nut .....              |             |                    |  |
| 67               | 1               |                       |  | 1117- 3185- 01         | Gasregulierung ..... | Throttle control ..... |             |                    |  |

